

General data	
Dimensions (W x D x H)	470 x 447 x 135 mm
Set-up plate	380 x 410 mm
Weight	3.200 g

### AS 4000.1 Universal attachment

For various types of vessels. Infinitely variable clamping rolls allow universal adaptation to the vessels.

#### Included with delivery:

1 x Basic holder, 6 x Clamping roll, 12 x Fastening screw



Ident. No.  
8022200

General data	
Dimensions (W x D x H)	470 x 447 x 25 mm
Number of fixing clips (volume)	50 x AS 2.1 (25 ml) 48 x AS 2.2 (50 ml) 25 x AS 2.3 (100 ml) 16 x AS 2.4 (250 ml) 12 x AS 2.5 (500 ml) 7 x AS 2.6 (1.000 ml)
Set-up plate	430 x 430 mm
Weight	2.650 g

### AS 4000.2 Fixing clip attachment

For shaking flasks, Erlenmeyer flasks and bottles with a round crosssection (without fixing clips).



Ident. No.  
3710100

General data	
Dimensions (W x D x H)	200 x 200 mm
Permissible ambient temperature	5 – 80 °C
Max. speed	300 rpm
Number of adhesive mats per shaker	KS 130 1 pcs. KS/HS 260 3 pcs. KS/HS 501 4 pcs. KS 4000 i 4 pcs.

### STICKMAX

New universal adhesive mat for the fixing clip attachments of KS 130, KS/HS 260, KS/HS 501 and KS 4000 i shakers.

- Ideal for frequently changing vessel types and sizes
- Self-adhesive
- Vessels can be easily removed thanks to side tilting movement
- Suitable for disinfection
- Peel-away strength required: 5 N/cm<sup>2</sup>



Ident. No.  
3920000

General data	
Dimensions (W x D x H)	470 x 447 x 25 mm
Set-up plate	430 x 430 mm
Weight	800 g

### AS 4000.3 Dish attachment

For smooth shaking operations in the low viscosity range, e.g. for cell cultures, nutrient media in Petri dishes, culture bottles and vessels with a low center of gravity. With integrated slip-resistant foil (PP).

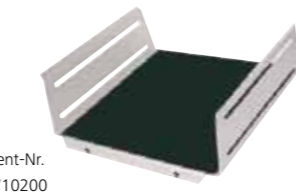


Ident. No.  
3710000

General data	
Dimensions (W x D x H)	446 x 447 x 135 mm

### AS 1.400 Basic holder

Spare for use with universal attachment AS 4000.1.



Ident-Nr.  
3710200

General data	
Length	417 mm

### AS 1.401 Clamping roll

Spare for use with universal attachment AS 4000.1.



Ident. No.  
3712000

### AS 1.402 Fastening screw

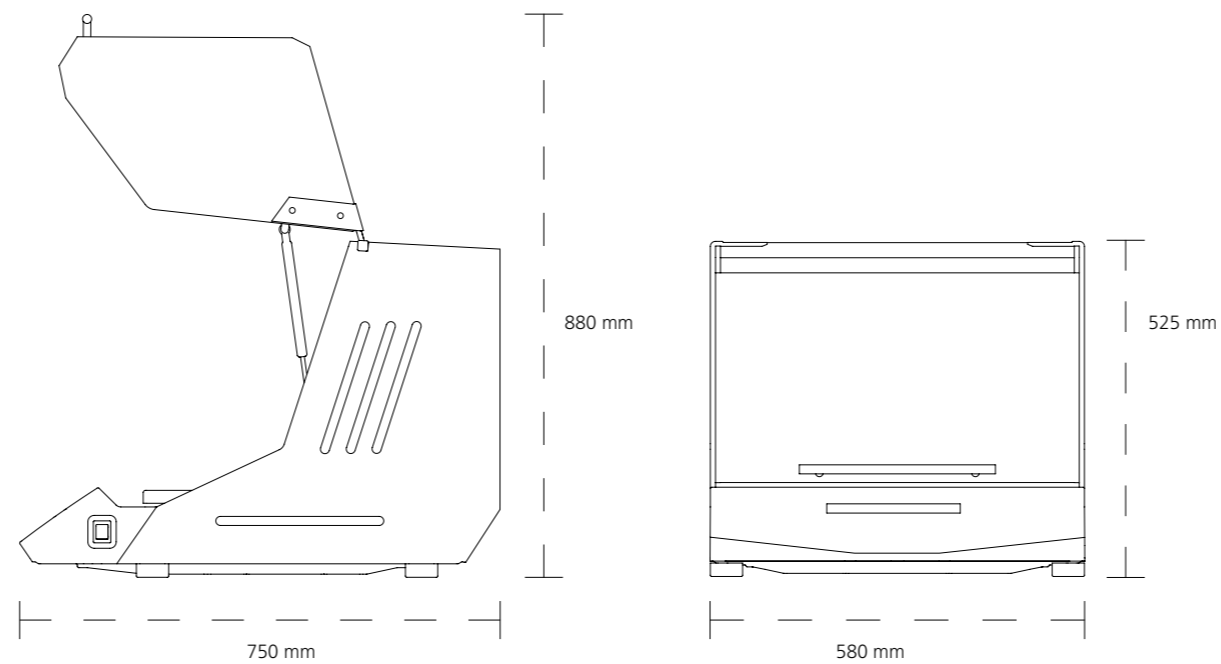
Spare for use with universal attachment. AS 4000.1. Two AS 1.402 fastening screws are required for fastening a clamping roll onto the corresponding basic holder.



Ident. No.  
3712300

## KS 4000 i control Incubator Shaker

– compact – space-saving – strong in lower rotation ranges



General data	
Dimensions (W x D x H)	580 x 750 x 525 mm
Space required (W x D)	580 x 580 mm
Weight	50 kg



Designed to work perfectly

IKA®-Werke GmbH & Co. KG · Janke & Kunkel-Str. 10 · 79219 Staufen · Germany  
Tel. +49 7633 831-0 · Fax +49 7633 831-98 · sales@ika.de · www.ika.com

Subject to technical changes. Indications not binding for delivery.



## KS 4000 i/ic control



Designed to work perfectly

# KS 4000 i control

New incubator shaker with innovative design allowing unattended operation in a temperaturecontrolled environment.



Junction box in the workspace for connection of an additional temperature sensor e.g. PT 1000.60, for direct temperature measurement in medium

Insulated double wall for constant temperature control

Large LED display:  
For speed and time settings  
Electronic temperature and speed control  
Electronic timer switch

Controls with antimicrobial coating for reduction of bacteria

Ergonomic operating surface

Absorbed hood movement

**5** Year warranty\*

\* 2 + 3 years after registering at [www.ika.com/register](http://www.ika.com/register), glassware and wearing parts excluded

- KS 4000 ic control with built in cooling coil for connection to an external cooling unit e.g. KV 600.
- Collecting tray with drain hose on rear of unit
- PT 1000.60 temperature sensor included with unit
- Integrated PID temperature control (use of two PT 1000 temperature sensors)
- Unit stops automatically when hood is lifted
- Simple operation
- All functions can be controlled and documented using the labworldsoft® software
- Low vibration and low-noise operation
- Outstanding stability: Cast aluminium base plate

Attachments not included – please order accessories as needed.

# Quality down to the last detail

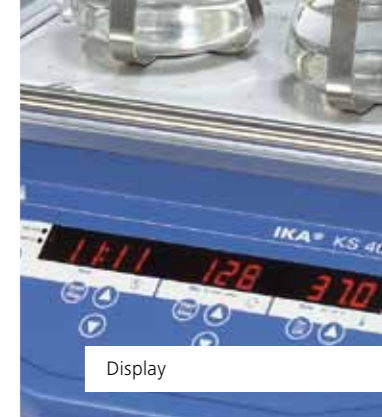
Shaking drive	
Shaking movement	orbital
Orbital diameter	20 mm
Max. shaking weight (with attachment)	20 kg
Motor rating input / output	82 / 24 W
Power consumption (at 230 V)	1.120 W
Permissible ON time	100 %
Infinitely adjustable speed range	10 to 500 rpm
Speed, time and temperature display	digital

Heating function	
Heat output	1.000 W
Temperature range	RT + 5 °C to 80 °C
Temperature stability (200 ml H <sub>2</sub> O at target T = 37 °C, RT 25 °C)	0,1 K
Timer switch (select minutes / hours)	∞ / 1 s - 999 h

Additional cooling function for KS 4000 ic control	
Cooling coil	built-in
Temperature range at flow temperature (3 °C) KV 600	RT - 10 °C to 80 °C
Cooling connection for hose	Ø 10 mm
Adapter nipple for hose connection	yes

General data	
Dimensions (W x H x D)	580 x 750 x 525 mm
Space required (W x D)	580 x 580 mm
Weight	55 kg
Permissible ambient temperature	15 – 32 °C
Permissible relative humidity	80 %
Protection class acc. to DIN EN 60529	IP 30
Interface	RS 232

<b>KS 4000 i control</b>	220–240 V 50/60 Hz	<b>Ident. No. 3510000</b>
<b>KS 4000 ic control with built-in cooling coil</b>	220–240 V 50/60 Hz	<b>Ident. No. 3510100</b>



Display



Drainage hose



Insulated double wall